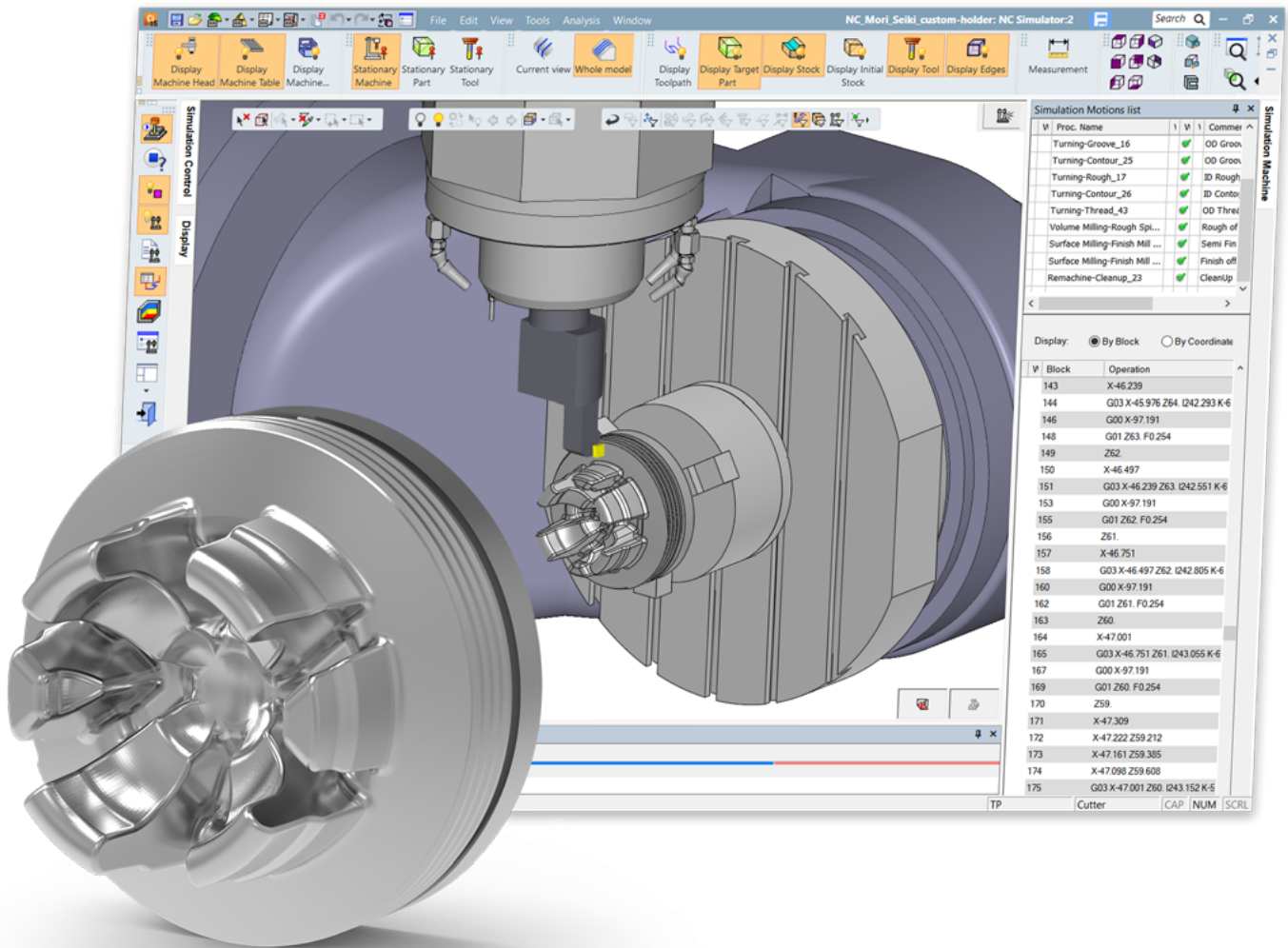




# Streamline your Mill/Turn process



**Cimatron Mill/Turn** application enables faster machining and better surface quality for tool makers who want to use the familiar and safe environment of Cimatron to program their Mill/Turn and Turning parts.

Turning with Cimatron supports full functionality for roughing, high-performance roughing (using VoluTurn), contouring, threading, grooving, tapping and boring. The application is fully integrated within the Cimatron CAM environment allowing easy programming, machine simulation and post processing of the entire NC process – Milling, Drilling and Turning.



**Cut Your Machining Time by Half and Get Even Better Finish Surface Quality**

Machine with a Mill/Turn Process  
**04:42:00 hours**



Machine with a Milling only Process  
**11:02:50 hours**

**Key Features:**

**Turning capabilities to support more machines**

- Better utilize your Mill/Turn and Turning machines
- Combine turning with advanced 5-Axis milling to get the most out of your machine

**Easy creation of turning cutters**

- Easily create cutters using key dimensions
- Use a wide variety of predefined common tool shapes
- User-defined form tools and holders

**One stock model updated for the entire process**

- Revolved stock by contour, bounded cylinder and more
- The stock model is fully updated throughout the entire process, both for turning and milling procedures

**Powerful design capabilities for contour creation**

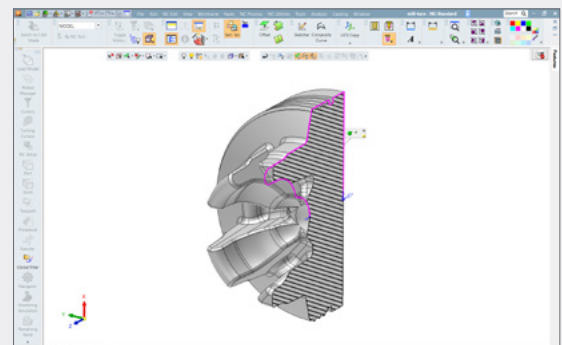
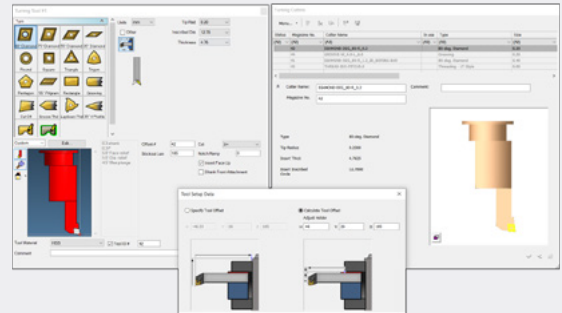
- Spun silhouette of the turning body
- All other contour creation options from Cimatron CAD

**Customizable toolpath creation**

- Turning from all directions: outside diameter, inside diameter, front facing and back facing
- Full control over technology: cutting direction, tool orientation, entry and retract mode and more

**Turning Strategies**

- **Rough** strategies: turn, pattern shift, plunge etc.
- **VoluTurn** for high-speed roughing using round insert
- **Contour** for finishing operations
- **Drilling, Grooving** and **Threading**



**Machine with confidence using Cimatron's machine simulation for the entire process - milling, drilling**

